

## Data sheet

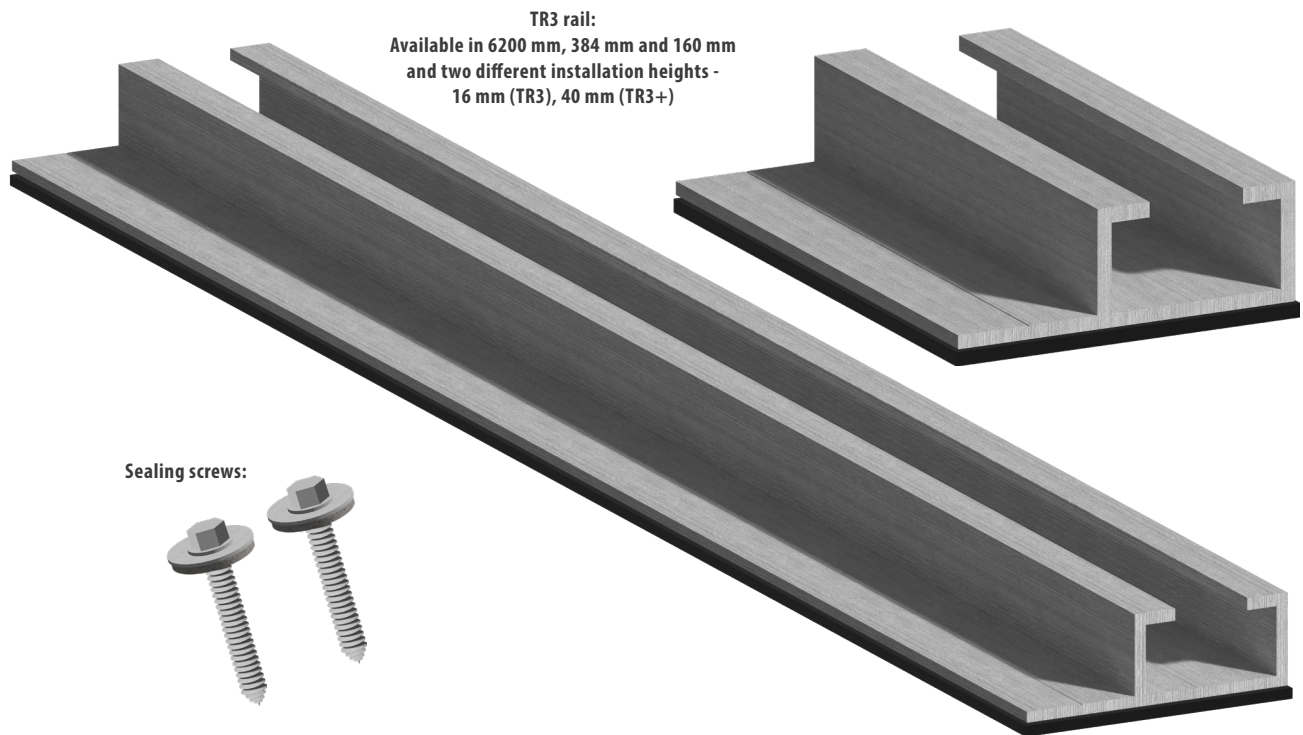
### Simply better IROC® TR3 and TR3+ for trapezoidal sheet metal roofs

The IROC® TR3/TR3+ mounting profile is more cost-effective and quicker to install than traditional systems. It is available in standard lengths of 6200 mm, 384 mm, or 160 mm (other lengths available upon request). The IROC® TR3/TR3+ profile is attached transversely or longitudinally to the trapezoidal sheet metal using self-tapping sealing screws. The module clamp is fully pre-assembled and can be positioned anywhere along the long side of the module. The system is packaged compactly for transport, resulting in lower transport costs compared to traditional systems.

### Advantages:

- ✓ Structurally proven components
- ✓ Fast assembly
- ✓ Minimal use of materials
- ✓ Suitable for all module types
- ✓ EPDM gasket included
- ✓ Sealing screws included
- ✓ Module clips included
- ✓ No sawing on the roof
- ✓ Low freight costs
- ✓ Cross mounting possible

<b>Mounting type</b>	Roof parallel
<b>Profile length</b>	Standard: 6200 mm, 384 mm or 160 mm, further lengths on request
<b>Module size</b>	For all common module types, also suitable for unframed modules
<b>Module orientation</b>	Portrait and landscape mounting
<b>Roof covering</b>	Trapezoidal sheet metal
<b>Material</b>	Aluminum EN AW 6063 / T66
<b>Connection</b>	Thin sheet metal screws on high bead
<b>Accessories</b>	Including EPDM sealing tape and Ejoyt sealing screw
<b>Prerequisite</b>	The load-bearing capacity of the roof must be checked by the customer



End- and module clips: available in black and silver, different sizes, with or without pin

